

# KOBALTO

## The Kobalto is available in the following versions

### ES + 2 IN

1 ES Brewer - 1 or 2 coffee bean hoppers - 2 instant canisters - 1 mixer - 1 dispensing point - self-service or back of bar mode

**Drinks delivered:** made with coffee beans, soluble coffee, fresh or powdered milk and chocolate  
americano  
café latte  
cappuccino  
café au lait  
espresso  
hot chocolate  
hot water

Hot water for tea is available at the same delivery point as the other drinks.

**Hourly output:** Approx. 100 cups per hour  
30 litres of hot water

**Ingredients capacity:** Coffee beans: 1.2 kg  
Chocolate: 2 x 1.7 kg

**Weight:** 78 kg



### ES + 3 IN

1 ES Brewer - 1 coffee bean hopper - 3 instant canisters - 2 mixers - 1 dispensing point - self-service or back of bar mode

**Drinks delivered:** made with coffee beans, soluble coffee, powdered milk and chocolate  
americano  
café au lait  
cappuccino  
espresso  
café mocha  
hot chocolate  
hot water

Hot water for tea is available at the same delivery point as the other drinks.

**Hourly output:** Approx. 100 cups per hour  
80 litres of hot water

**Ingredients capacity:** Coffee beans: 1.2 kg  
Soluble Coffee: 0.5 kg  
Whitener: 0.7 kg  
Chocolate: 1.7 kg

**Weight:** 84 kg



## 4 IN

4 IN canisters - 3 mixers - 1 dispensing point - self-service and back of bar mode

### Drinks delivered:

americano  
café au lait  
cappuccino  
café latte  
hot chocolate  
café mocha  
hot water

### Hourly output:

Approx. 100 cups per hour  
80 litres of hot water

### Ingredients capacity:

Soluble coffee: 2 x 0.65 kg  
Powdered milk: 0.7 kg  
Chocolate: 3.1 kg

### Weight:

59 kg



### Ease of use

The Kobalto is an extremely user-friendly machine, whether behind the bar for staff (waiter, operator or barman), or in self-service mode for the end customer.

Just press a button to dispense any kind of drink. For perfect cappuccinos or white coffees, there is the choice of an automatic milk steamer for fresh milk or an internal mixer for powdered milk.

The Kobalto has a large selection panel that is easy to read and use. Each button has a blue light that guides the user through the selection process, ensuring quick and easy operation. Customised messages can also appear on the large electronic display placed just above the selection buttons.

The retractable dispense head has been designed to efficiently accommodate both small and large cups.

### A rich and complete menu

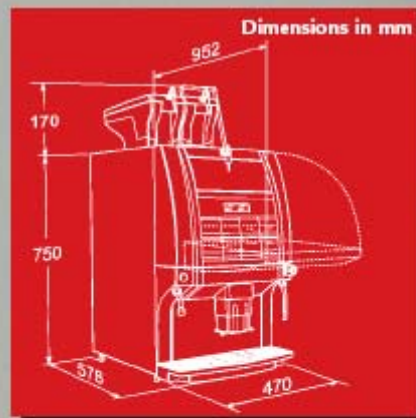
The Kobalto can offer a wide range of drinks. Between 8 and 16 selections can be customised – using a wide range of products: bean, soluble coffee, fresh or powdered milk, and chocolate. In the espresso version, the Kobalto can have 1 or 2 coffee bean hoppers and a variety of soluble products combined with an automatic milk steamer.



# KOBALTO

## Accessories:

- Cup-warmer for side or top of the machine
- Base cabinet
- Water self-feeding kit (20 litres)
- Plinth to increase the height of the cup station and allow the use of carafes up to 300 mm (Kobalto IN)
- Cup station extension (Kobalto IN)



*Example of Instant Version  
(indicative)*



*Example of Espresso Version  
(indicative)*

 **LINK VENDING**

*the charity-linked vending company.*

**The Charity – Linked Vending Company**

Tel 020 8669 2002

Fax 020 8669 9666

email [sales@linkvending.co.uk](mailto:sales@linkvending.co.uk)

[www.linkvending.co.uk](http://www.linkvending.co.uk)